

Overview

The 920 Series is a relampable midget flanged base lampholder. The mating lens cap accepts a T-1 3/4 midget flanged base incandescent lamp, held in the lens assembly by means of a friction fit which insures good contact and prevents the lamp from falling out when the lens is removed. A Littelite Lens Cap Assembly must be used with the holder to hold the lamp in proper relationship to the socket contact. Also available with RFI/EMI shielded lens to eliminate the possible transmission or reception of RF signals.

Approvals

UL Recognized and CSA Certified. For MIL Spec Lampholders, contact the factory.

Specification

Housing: Aluminum. Black anodized finish standard. Clear anodized or yellow iridescent chromate finish optional.

Internal Tooth Lockwasher & Hex Nut: Steel. Zinc-plated with yellow iridescent chromate finish.

Terminals: Brass. Tin-plated with elongated slot (3/64" x 3/32"). Tapered to accept a quick-connect receptacle.

Socket: Brass. Nickel-plated.

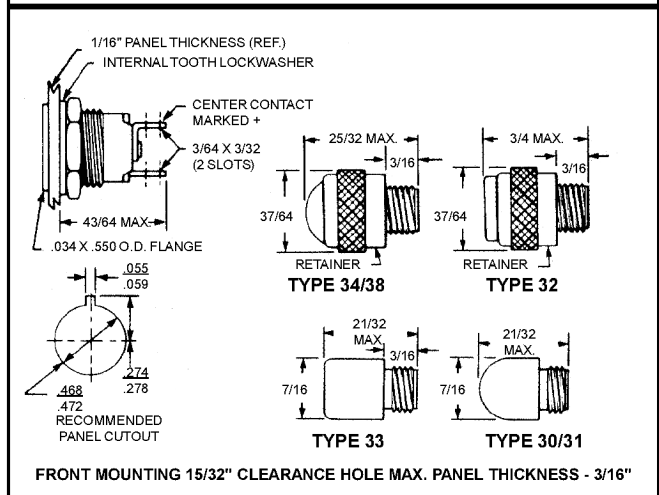
Lens: Heat resistant, high strength polycarbonate.

Lens Marking: Flat rotatable lenses may be stamped. Contact factory.

Lens Barrel: Brass. Nickel-plated.

Retainer: Aluminum. Black or clear anodized finish.

920 Series Maximum Rating: 1.12 Watts, 28 Volts.



| ORDERING INFORMATION: EXAMPLE: 9 2 0 4 0 1 X 31 0 RN | | | | | | | |
|--|-----------------|-----------|--|--------------------|----------------------------------|-------------------------------------|--|
| Series Number | Lampholders | | | | Lens Cap Assembly | | |
| | Termination | Features | Finish | Resistor | Lens Style | Retainer | Lens Color |
| 920 | 4 Solder Cup | 0 None | 1 Black Anodized - Standard 2 Clear (Silver) Anodized 3 Yellow Iridescent Chromate | X None Required | 31 ⁴ Stovepipe | 0 ³ No Retainer | Nondiffusing |
| | | | | | 32 ^{1,4} Flat Rotatable | | AN Amber BN Blue CN Colorless GN Green RN Red WN White YN Yellow |
| | | | | | 33 ⁴ Cylindrical | 1 Black Anodized Finish Standard | Translucent |
| | | | | | 34 ⁵ Convex | | AT Amber BT Blue GT Green RT Red WT White YT Yellow |
| | | | | | 38 ⁶ Convex | 2 Clear (Silver) Anodized Finish | Diffusing |
| | | | | | 30 Stovepipe - RFI/EMI Shielded | | AD Amber BD Blue CD Colorless GD Green RD Red YD Yellow |

¹ Lens Marking Available. Contact the factory.
² Use with type 3 finish on lampholder.
³ No retainer required with types 30, 31, and 33 lenses.
⁴ Nondiffusing and Translucent Lens Colors Only.
⁵ Nondiffusing Lens Colors Only.
⁶ Diffusing Lens Colors Only.